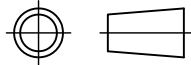


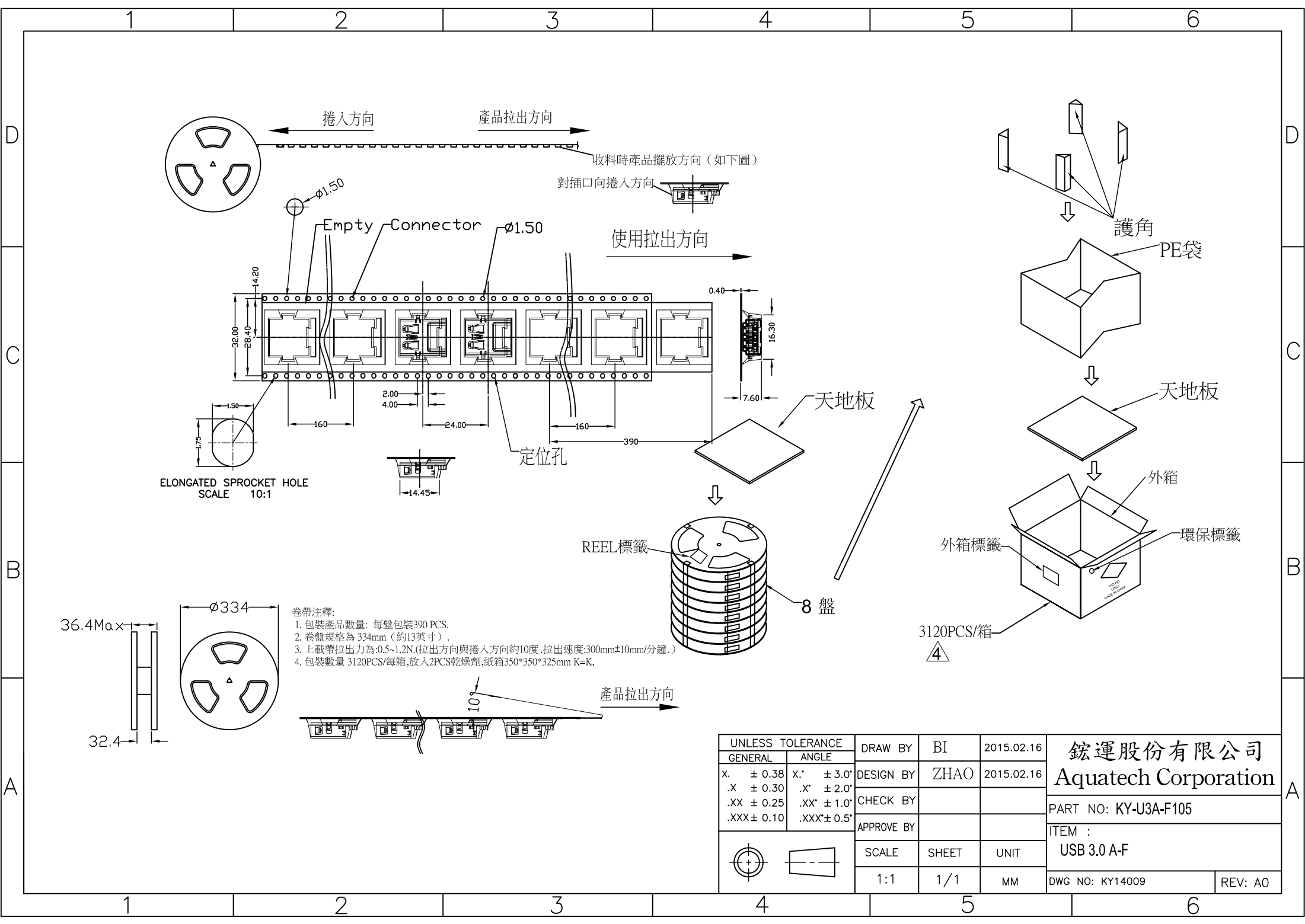
NOTE:
 SPECIFICATION:
 1).Voltage Current Rating: 1A, 30VAC(rms)
 2).Insulation Resistance: 1000MΩ Min.
 3).Contact Resistance: 30mΩ Max.
 4).Dielectric Withstanding Voltage: 500V AC

MECHANICAL:
 1). Mating Force: 2.27Kgf(22N) Max Δ
 2). Retention force: 1.02Kgf(10N)~2.72kgf(27N) Δ
 3). DURABILITY: 5000 Cycles Δ

3	SHELL	SUS 201	T=0.30	NICKEL(30u*min.) PLATED OVERALL	1
2	TERMINAL	C2680	T=0.25	CONTACT AREA: GOLD FLASH(1u*min.) SOLDER AREA: MATTE-TIN(80~120u")	9
1	HOUSING	PA 10T		BLACK , UL94-V0	1
NO.	PART NAME	MATERIAL	THICK	FINISH	Q'TY

UNLESS TOLERANCE		DRAW BY	BI	2015.02.16	鉍運股份有限公司 Aquatech Corporation	
GENERAL	ANGLE	DESIGN BY	ZHAO	2015.02.16		
x. ± 0.38	x.' ± 3.0°	CHECK BY			PART NO: KY-U3A-F105	
.X ± 0.30	.X' ± 2.0°	APPROVE BY			ITEM : USB 3.0 A-F	
.XX ± 0.25	.XX' ± 1.0°	SCALE	SHEET	UNIT	DWG NO: KY14009	
.XXX ± 0.10	.XXX' ± 0.5°	1:1	1/1	MM	REV: A0	





ELONGATED SPROCKET HOLE SCALE 10:1

- 卷帶注釋:
1. 包裝產品數量: 每盤包裝390 PCS.
 2. 卷盤規格為 334mm (約13英寸).
 3. 上載帶拉出力為: 0.5-1.2N. (拉出方向與捲入方向約10度, 拉出速度: 300mm±10mm/分鐘.)
 4. 包裝數量 3120PCS/每箱, 放入2PCS乾燥劑, 紙箱350*350*325mm K=K.

UNLESS TOLERANCE		DRAW BY	BI	2015.02.16	鎡運股份有限公司 Aquatech Corporation	
GENERAL	ANGLE					
x. ± 0.38	x.' ± 3.0°	DESIGN BY	ZHAO	2015.02.16	PART NO: KY-U3A-F105	
.X ± 0.30	.X' ± 2.0°	CHECK BY			ITEM :	
.XX ± 0.25	.XX' ± 1.0°	APPROVE BY			USB 3.0 A-F	
.XXX ± 0.10	.XXX' ± 0.5°	SCALE	SHEET	UNIT	DWG NO: KY14009	
		1:1	1/1	MM	REV: A0	